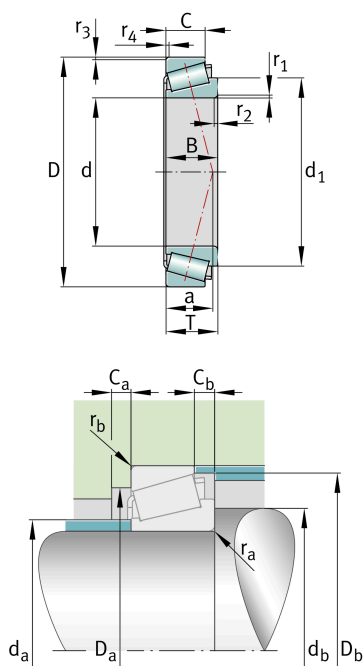


**FAG****32311-H**

## Tapered roller bearing

Tapered roller bearings 323, main dimensions acc. to DIN 720, separable

## Technical information



## Your current product variant

Tolerance class	PN	Normal (ISO 492:2023)
Heat treatment	Standard	
Cage	Standard	Sheet steel cage, window cage, roller-guided
Internal design	Standard	
Quality level	H	
Number of rows	1	Single-row design

## Main Dimensions &amp; Performance Data

d	55 mm	Bore diameter
D	120 mm	Outside diameter
B	43 mm	Width, inner ring
C	35 mm	Width, outer ring
T	45,5 mm	Width, total
$C_r$	200.000 N	Basic dynamic load rating, radial
$C_{0r}$	270.000 N	Basic static load rating, radial
$C_{ur}$	34.000 N	Fatigue load limit, radial
$n_G$	4.880 1/min	Limiting speed
$n_{gr}$	4.350 1/min	Thermal speed rating
$\approx m$	2,39 kg	Weight



### Mounting dimensions

$d_{a \max}$	68 mm	Maximum diameter of shaft shoulder
$d_{b \min}$	65 mm	Minimum diameter of shaft shoulder
$D_{a \min}$	99 mm	Minimum diameter of housing shoulder
$D_{a \max}$	110 mm	Maximum diameter of housing shoulder
$D_{b \min}$	111 mm	Minimum diameter of housing shoulder
$C_{a \min}$	5 mm	Minimum axial space
$C_{b \min}$	10,5 mm	Minimum axial space
$r_{a \max}$	2,5 mm	Maximum fillet radius of shaft
$r_{b \max}$	2 mm	Maximum fillet radius of housing

### Dimensions

$r_{1, 2 \min}$	2,5 mm	Minimum chamfer dimension of inner ring back face
$r_{3, 4 \min}$	2 mm	Minimum chamfer dimension of outer ring back face
$a$	30 mm	Distance between the apexes of the pressure cones
$d_1 \max$	87,1 mm	Maximum guidance rib diameter of inner ring

### Temperature range

$T_{\min}$	-30 °C	Operating temperature min.
$T_{\max}$	120 °C	Operating temperature max.

### Calculation factors

$e$	0,35	Limiting value of $F_a/F_r$ for the applicability of diff. Values of factors X and Y
$Y$	1,74	Dynamic axial load factor
$Y_0$	0,96	Static axial load factor

### Additional information

T2FD055

Comparative designation to ISO 10317 and ISO 355



### Characteristics

---

-  Radial load
-  Axial load in one direction
-  Grease Lubrication
-  Oil Lubrication
-  Not sealed