

IMAGE  
COMING SOON**GLCTE30-FA125**

Flanged housing unit

Flanged housing unit GLCTE...-FA125

## Technical information

**Your current product variant**

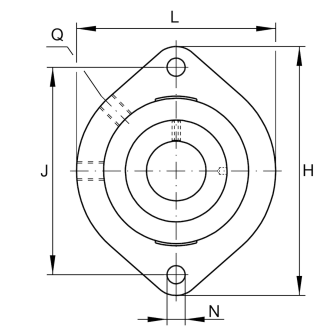
Material	GG	Grey cast iron
Manufacturing instruction	FA125	Unit with Corrotect coating, corrosion-resistant

**Main Dimensions & Performance Data**

d	30 mm	Bore diameter
L	84 mm	Flange width
H	112,5 mm	Height flange
U	38,1 mm	Total height unit
C <sub>r</sub>	19.500 N	Basic dynamic load rating, radial
C <sub>0r</sub>	11.300 N	Basic static load rating, radial
m	0,76 kg	Weight

**Mounting dimensions**

J	90,5 mm	Distance fixing bore
N	11,5 mm	Fixing bore
W	4 mm	Width across flats
n	2	Number of screwing holes





### Dimensions

A <sub>1</sub>	22,5 mm	Thickness of flange
A <sub>2</sub>	11,4 mm	Distance raceway
B <sub>1</sub>	35,8 mm	Locking collar total width
Q	M6	Connection thread for lubrication
d <sub>3</sub>	44 mm	Outside diameter eccentric locking collar

### Additional information

1		Number of housings
GEHGLCTE06-GG-FA125.1		Housing
GRAE30-XL-NPP-B-FA125.5		Bearing designation

### Temperature range

T <sub>min</sub>	-20 °C	Operating temperature min.
T <sub>max</sub>	100 °C	Operating temperature max.