

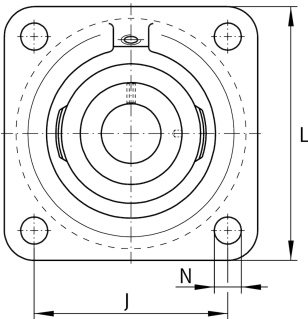
**PCJ30-XL-N-FA125**

Flanged housing unit

Housing units PCJ...-FA125, four-bolt flanged housing units, cast iron, eccentric locking collar, P seals, with anti-corrosion protection

X-life

Technical information



Your current product variant

Groove	N	Cast iron housing with undercut slot for end caps
Material	GG	Grey cast iron
Manufacturing instruction	FA125	Unit with Corroctect coating, corrosion-resistant

Main Dimensions & Performance Data

d	30 mm	Bore diameter
L	108 mm	Flange width
U	46,8 mm	Total height unit
C _r	20.700 N	Basic dynamic load rating, radial
C _{0r}	11.300 N	Basic static load rating, radial
C _{ur}	480 N	Fatigue load limit, radial
≈m	1,09 kg	Weight

Mounting dimensions

J	82,5 mm	Distance fixing bore
N	11,5 mm	Fixing bore
W	4 mm	Width across flats
n	4	Number of screwing holes



Dimensions

A	31 mm	Height housing
A ₁	12 mm	Thickness of flange
A ₂	20 mm	Distance raceway
B ₁	35,8 mm	Locking collar total width
V	85 mm	Shoulder diameter housing
Q	M6	Connection thread for lubrication
d ₃	44 mm	Outside diameter locking device

Additional information

1	Number of housings
GEHCJ06-GG-N-FA125.1	Housing
GRAE30-XL-NPP-B-FA125.5	Bearing designation
KASK06	Protecting cap

Temperature range

T _{min}	-20 °C	Operating temperature min.
T _{max}	120 °C	Operating temperature max.